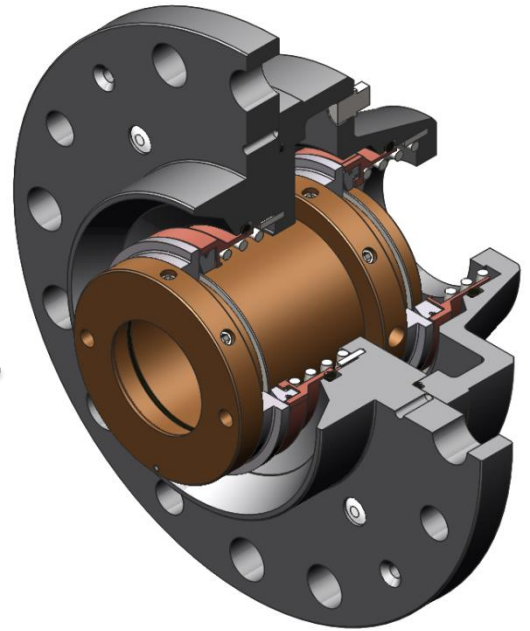




Vaughan Tandem Mechanical Cartridge Seal

Features:

- Ruggedly designed for Vaughan Chopper pumps.
- Simple cartridge seal installation. As easy to install as the time-proven single Vaughan Cartridge Seal.
- Choice of face materials & elastomers allows seal to be tailored to application.
- Available for all sizes of Vaughan horizontal and pedestal dry pit pumps.

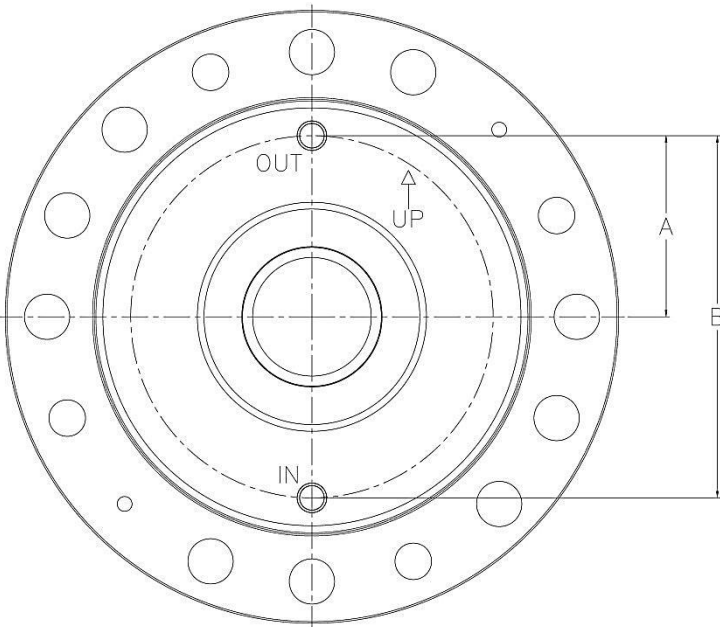


Flush Configurations:

Quench & Drain

- Use a low cost flow regulator to control flow at 3 gallons per hour
- Upgrade to available thermal valve for lower water usage.
- Add available temperature switch to guard against loss of supply water for flush system

Other flushing configurations are available upon request



Dimensions:

Model	A	B	Thread
3-6" Pumps	2"	4"	1/4" NPT
8-16" Pumps	3.25"	6.5"	1/4" NPT

Materials of Construction:

- Sleeve**.....Heat treated stainless steel
- Housing**.....Stainless steel or ductile iron
- Springs**.....Stainless steel
- Faces**.....Silicone carbide or tungsten carbide
- Elastomers**...Viton – others available



Vaughan Co., Inc.

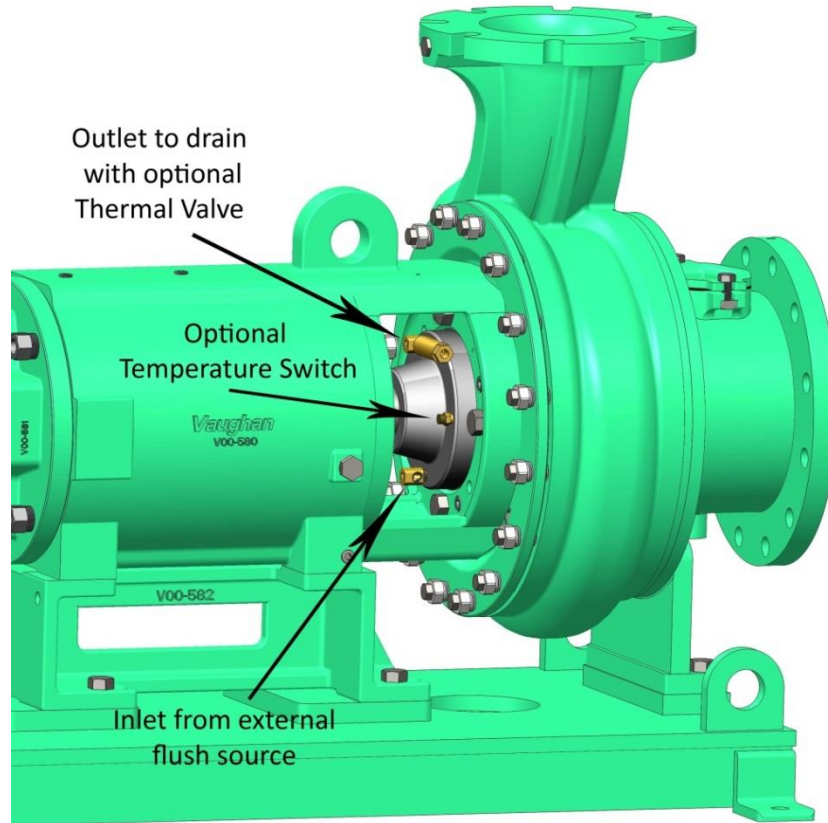
364 Monte Elma Road
 Montesano, WA 98563
 Phone: 360-249-4042, FAX: 360-249-6155
 e-mail: info@chopperpumps.com

CURRENT U.S. PATENTS: Nos. 7,125,221, 5,460,482;
 5,460,483; 5,456,580; 5,256,032; 5,076,757;
 4,840,384; 4,842,479.

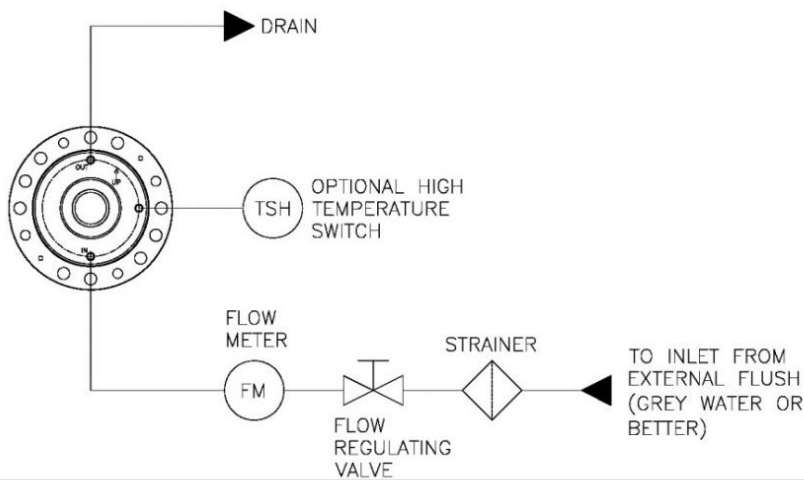
CURRENT FOREIGN PATENTS: Nos. 2 371 834; 2 188
 138; 1,290,981; 276224; 0 774 045.
 OTHER PATENTS PENDING.



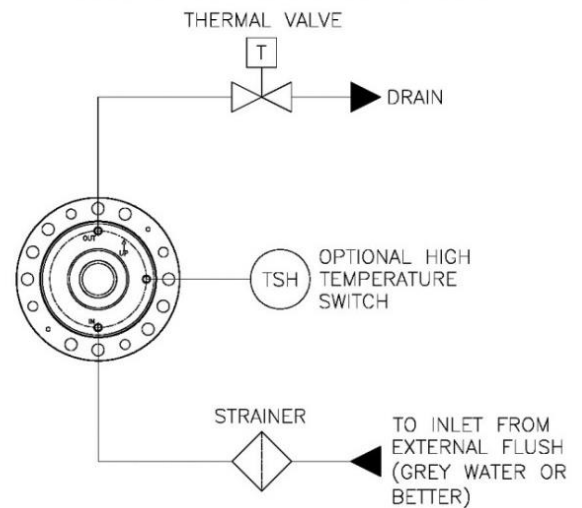
Vaughan Tandem Mechanical Cartridge Seal



QUENCH & DRAIN



QUENCH & DRAIN WITH THERMAL VALVE



Vaughan Co., Inc.

364 Monte Elma Road
Montesano, WA 98563

Phone: 360-249-4042, FAX: 360-249-6155

e-mail: info@chopperpumps.com

CURRENT U.S. PATENTS: Nos. 7,125,221, 5,460,482;
5,460,483; 5,456,580; 5,256,032; 5,076,757;
4,840,384; 4,842,479.

CURRENT FOREIGN PATENTS: Nos. 2 371 834; 2 188
138; 1,290,981; 276224; 0 774 045.

OTHER PATENTS PENDING.